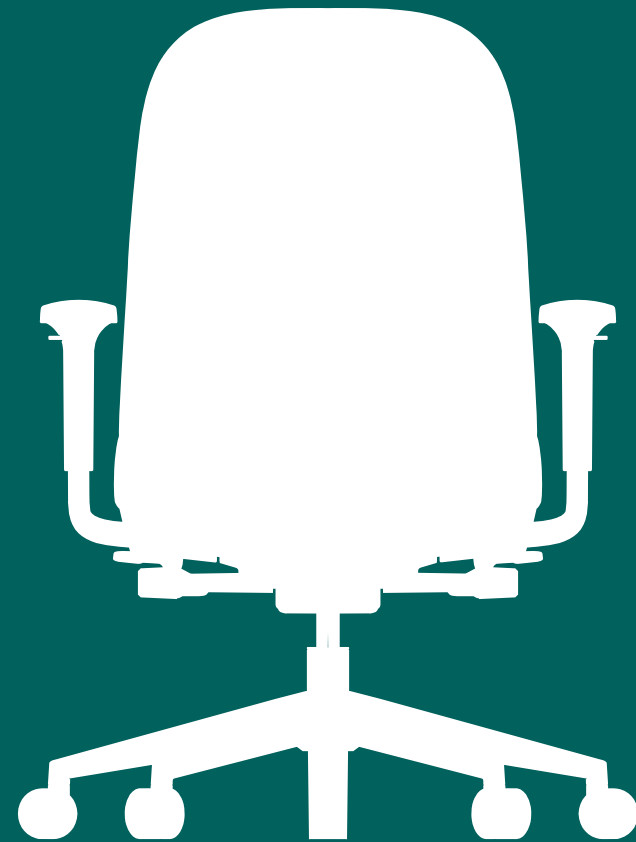


workplace2.0™

Bedford Task Chair

WP62574



ASSEMBLY GUIDE

Product Support 800-270-9557

workplace2.0™

Easy assembly.

Union & Scale™ is leading the way in taking some of the stress and frustration out of furniture assembly.

More logical instructions. No more “huh?” moments — we develop our instructions to have the right amount of detail you’ll need for easy assembly.

We’re here to help. If you’re confused during any step of the process, just call the number located at the bottom of the instructions pages.

You’ll get help from a friendly representative.

Need help with assembly?

Questions?

Call our Product Support experts

9:00 am–8:00 pm, Eastern Time

800-270-9557

Furniture that works for you.

Your business has its own unique personality.

At Union & Scale™, we’ll help bring it to life through furniture and décor that looks great and connects perfectly with you and your team.

Union & Scale™ provides solutions that enable people and organizations to perform at their best.

We stand behind our products and materials. If for any reason a Union & Scale™ product does not meet the performance expectations, please contact us at 800-270-9557.

Sit down on the job in custom comfort.

No two people are alike. But no matter what your body is built like, there's one chair that's built for everyone's comfort - a Union & Scale chair! Take a look at the diagram below. It's packed with features that make it easy to fine-tune the comfort to meet your unique needs.

Product Features

Seat Height Adjustment

Seat height adjusts to assure correct posture and relieves stress on back, thighs and legs.



Tilt Tension

Easy adjustment of chair flexibility avoids heavy pushing and relaxes muscles.



Variable Tilt Lock

Locking mechanism allows the back to lock in 3 preset positions to assure healthy posture.



Arm Height Adjustment

Arms adjust up and down or swivel to ease pressure on neck and support shoulders.



Lumbar Support Adjustment

Added support in the chair back provides bolstering to the lower back.



Arm Width Adjustment

Arms adjust left and right to desired width.



Seat Slide Adjustment

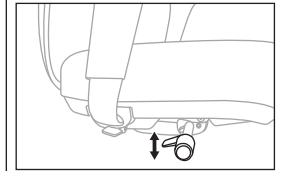
Seat moves smoothly back and forth with user to accommodate upper leg length and ease pressure points.



Features Instructions

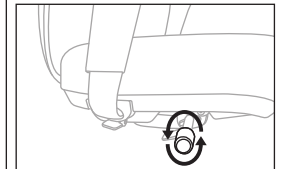
Seat Height Adjustment

- To raise the seat: lean slightly forward while seated to relieve the pressure on the tilt mechanism.
- Reach under the right side of the chair and locate the paddle. Raise yourself up slightly to allow the chair to reach your desired height.
- To lower the seat: remain seated and lift the paddle upwards until the chair lowers to your desired height.



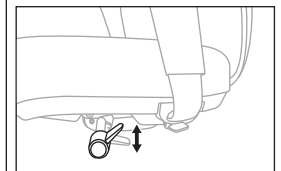
Tilt Tension

- Grasp the round cylinder knob under the right of the seat.
- For firmer/stiffer - turn counter clockwise.
- For softer/looser - turn clockwise.



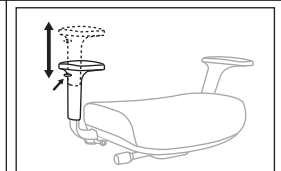
Variable Tilt Lock

- Locate the paddle underneath the left side of the seat.
- Push the paddle down allows the back to tilt freely.
- Lift the paddle up allows the back to lock in 1 of 3 preset positions.



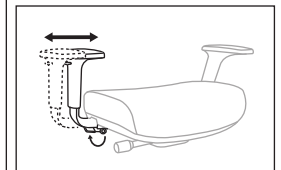
Arm Height Adjustment

- Lift the lever up to allow the arms to move up or down freely.
- Release the lever once the desired height is reached.



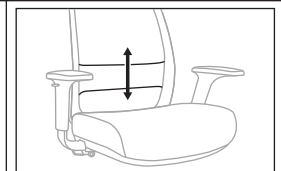
Arm Width Adjustment

- Unlock the arm width lever under the seat to adjust the width of the arms to the desired position.
- Lift the lever up to lock the arm width position.



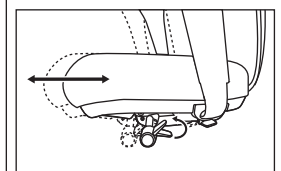
Lumbar Support Adjustment

- Slide the lumbar support up or down to the desired location.



Seat Slide Adjustment

- Lift the paddle up to allow the seat to slide forward and backward.
- Release the paddle once the desired seat depth is reached.



Included Parts



A Yellow Screw (x8)



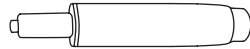
B Green Screw (x3)



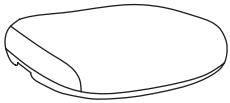
1 Caster (x5)



2 Base (x1)



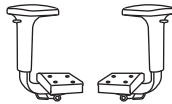
3 Gas Lift (x1)



4 Seat (x1)

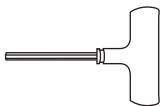


5 Back (x1)



6 Arms (x2)

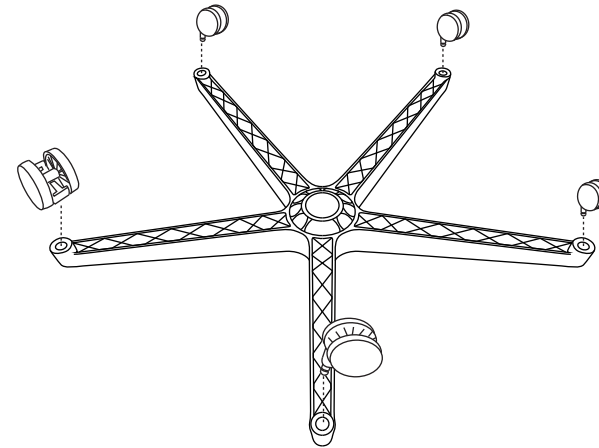
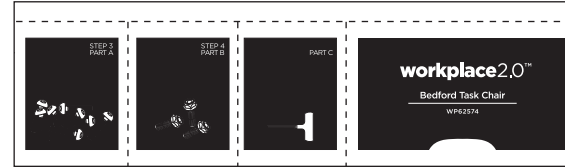
Tools Provided



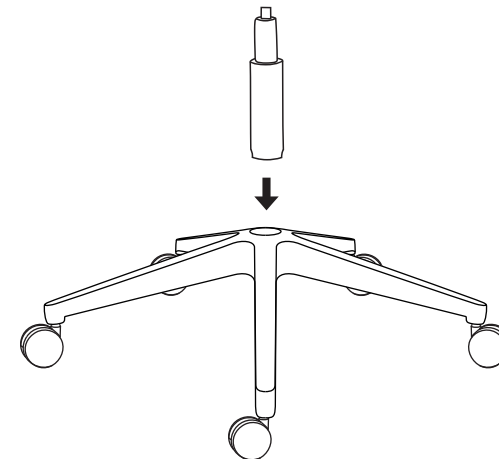
C T-Wrench (x1)

Chair bolts, screws and knobs may loosen during use. Please tighten your chair's hardware each month.

Each piece of hardware needed for each step is located in the corresponding segment in your Easy Parts Pack.



1

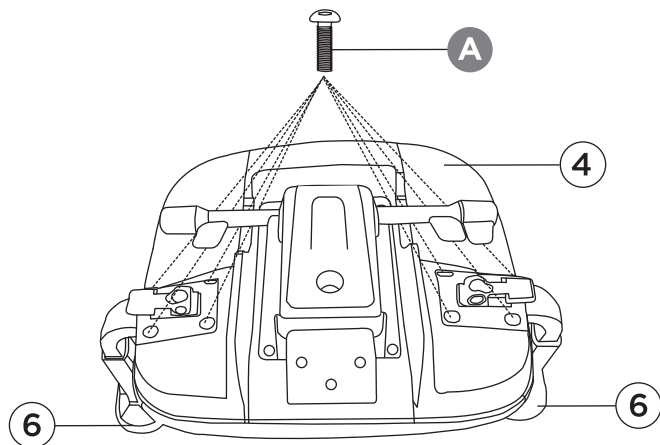


2

3



A (x8)

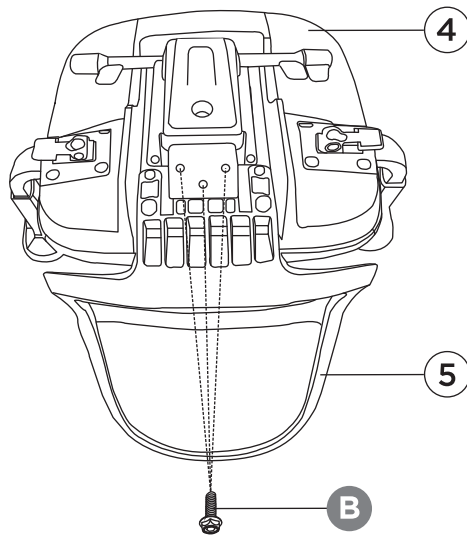


Tip: For easier installation, place seat on top of box.
Hand thread all screws prior to fully tightening with T-wrench.

4

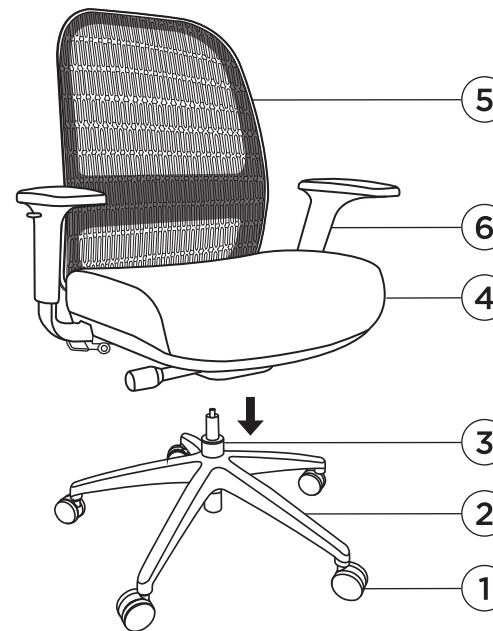


B (x3)

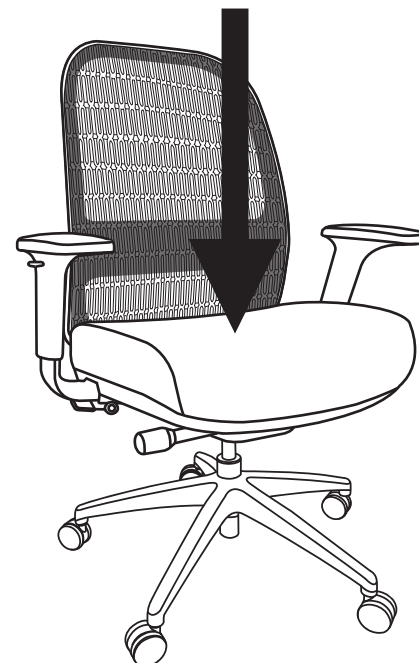


Tip: Hand thread all screws prior to fully tightening with T-wrench.

5

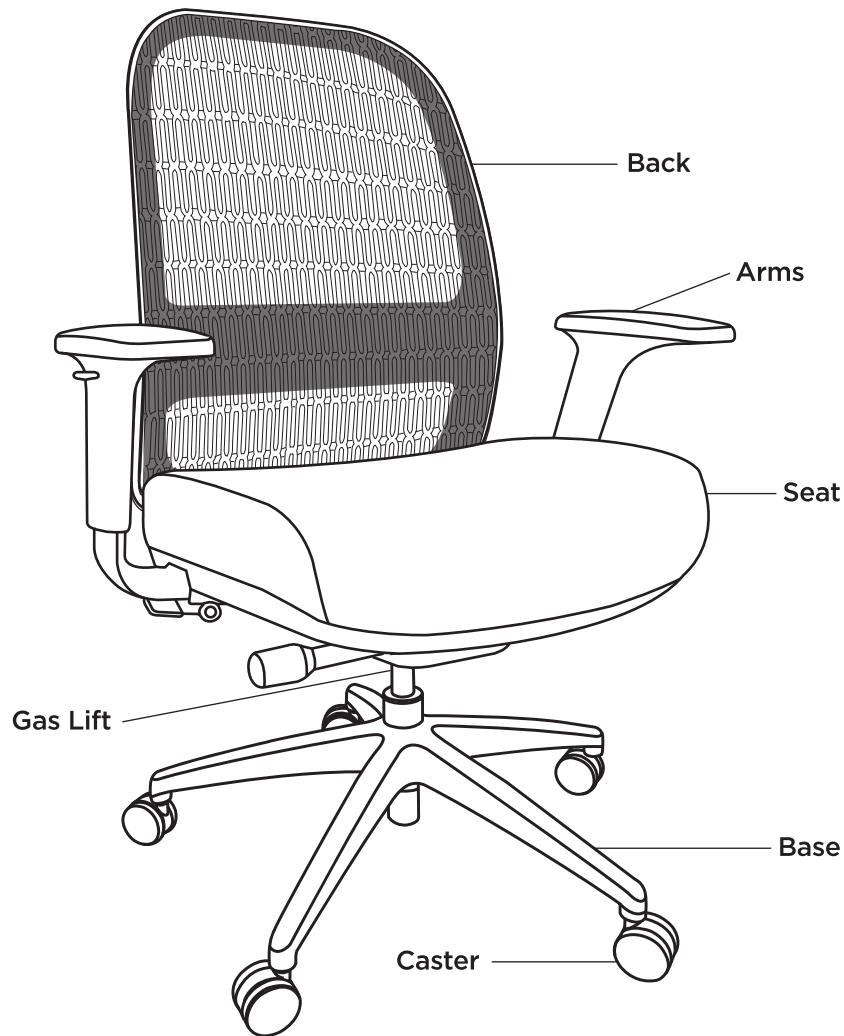


6



To secure seat into base, sit down on chair. See easy adjustment instructions to ensure custom comfort.

Behold, the finished product.



Warranty

Worklife Brands warrants to the original purchaser of this Union & Scale™ Chair against defects in design, assembly, material, or workmanship for 7 years from the original date of purchase. In the event of a defect in the design, assembly, materials or workmanship of this product within 7 years from the original date of purchase, Worklife Brands will replace any such defective part. Parts included under this warranty are non-moving metal components, chair frame, pneumatic cylinder, upholstery and all other parts. To claim your replacement parts, contact product support at 800-270-9557. Original receipt or proof of purchase is required to obtain replacement parts. This warranty is based on up to 8-10 hours of continual use within a 24-hour period for users weighing up to 275 lbs. (124 kgs).

Claims under this limited warranty or any implied warranty shall be limited to replacement of 100% of the chair or refund of purchase price at Worklife Brands' sole option.

This warranty does not apply to normal wear or damage from misuse, abuse, improper storage or handling, installation, accident, repair or alteration or other circumstances not directly attributable to manufacturing or material defects.

THIS WARRANTY IS EXCLUSIVE AND IN LIEU OF ALL OTHERS, WHETHER ORAL OR WRITTEN, EXPRESS OR IMPLIED. WORKLIFE BRANDS SPECIFICALLY DISCLAIM ANY AND ALL IMPLIED WARRANTIES, INCLUDING WITHOUT LIMITATION, WARRANTIES OF MERCHANTABILITY AND FITNESS FOR A PARTICULAR PURPOSE. IN NO EVENT WILL WORKLIFE BRANDS BE LIABLE FOR ANY INCIDENTAL, DIRECT, INDIRECT, SPECIAL, PUNITIVE, OR CONSEQUENTIAL DAMAGES (SUCH AS BUT NOT LIMITED TO, DAMAGES FOR LOSS OF PROFITS, BUSINESS, SAVINGS, DATA OR RECORDS) RELATED TO THIS PRODUCT.

This warranty gives you specific legal rights, and you may also have other rights that vary depending upon the state, province, territory or country. Some states, provinces and territories do not allow the exclusion or limitation of incidental or consequential damages or limitation on how long an implied warranty lasts.

Except as stated herein, no other warranties shall apply.