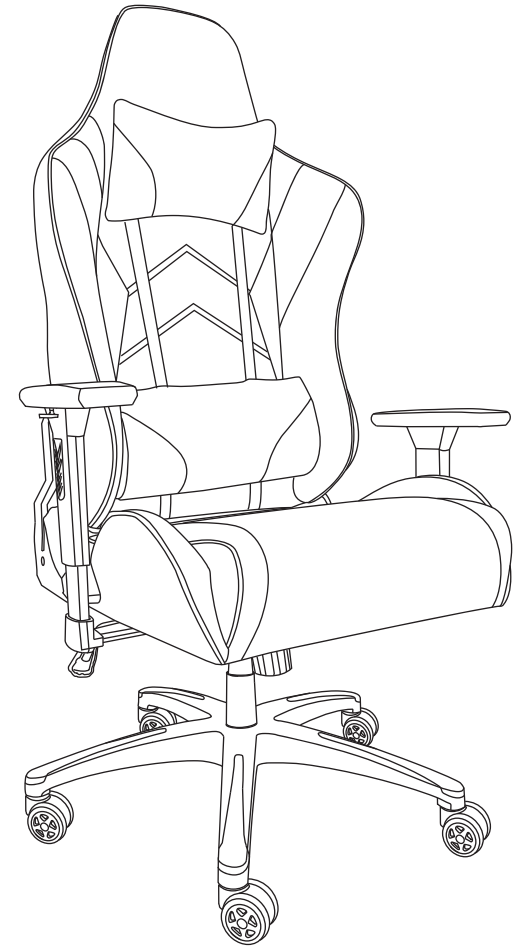


EMERGE™



EMERGE™



**53241V/53242V**

**VARTAN™ GAMING CHAIR  
INSTRUCTION MANUAL**

PRODUCT SUPPORT 1-800-270-9570

## GET READY FOR PEAK PERFORMANCE

Your Emerge™ chair is almost ready for action. Simply assemble following the directions on Page 4 and you'll be ready in no time.

### **Got questions? We've got you.**

Call our product support experts  
9:00am—8:00pm EST (Monday-Friday)  
1-800-270-9570

## WARRANTY

Emerge™ warrants to the original purchaser of this EmERGE™ Brand Chair against defects in design, assembly, material, or workmanship for 7 years from the original date of purchase. In the event of a defect in the design, assembly, materials or workmanship of this product within 7 years from the original date of purchase, EmERGE will replace any such defective part. Parts included under this warranty are nonmoving metal components, chair frame, pneumatic cylinder, upholstery and all other parts. To claim your replacement parts, contact product support at 1-800-270-9570. Original receipt or proof of purchase is required to obtain replacement parts. This warranty is based on up to 10 hours of continual use within a 24-hour period for users weighing up to 275 lb. (124 kgs).

Claims under this limited warranty or any implied warranty shall be limited to replacement of 100% of the chair or refund of purchase price at Emerges' sole option.

This warranty does not apply to normal wear or damage from misuse, abuse, improper storage or handling, installation, accident, repair or alteration or other circumstances not directly attributable to manufacturing or material defects.

**THIS WARRANTY IS EXCLUSIVE AND IN LIEU OF ALL OTHERS, WHETHER ORAL OR WRITTEN, EXPRESS OR IMPLIED. EMERGE SPECIFICALLY DISCLAIMS ANY AND ALL IMPLIED WARRANTIES, INCLUDING WITHOUT LIMITATION, WARRANTIES OF MERCHANTABILITY AND FITNESS FOR A PARTICULAR PURPOSE. IN NO EVENT WILL EMERGE BE LIABLE FOR ANY INCIDENTAL, DIRECT, INDIRECT, SPECIAL, PUNITIVE, OR CONSEQUENTIAL DAMAGES (SUCH AS BUT NOT LIMITED TO, DAMAGES FOR LOSS OF PROFITS, BUSINESS, SAVINGS, DATA OR RECORDS) RELATED TO THIS PRODUCT.**

This warranty gives you specific legal rights, and you may also have other rights that vary depending upon the state, province, territory or country. Some states, provinces and territories do not allow the exclusion or limitation of incidental or consequential damages or limitation on how long an implied warranty lasts. Except as stated herein, no other warranties shall apply.

Patents/Brevets/Patentes  
EU/UE 000656616-0001  
Canada/Canada/Canadá  
CA-118893

## PRODUCTS THAT EMPOWER

With rigorous performance testing and next-level features that can be customized to complement your personal playing style, EmERGE helps you up your game. Made to last and impress, each chair is designed and vetted to meet our highest standards — and yours.

**Ready. Set. Game on.**

## Elevate Your Game.

High performance players need gear that helps them transcend to the next level. Emerge is specially designed with your unique gaming needs in mind. With advanced features that can easily be fine-tuned to your preferences, you'll soon be ready to take on your next challenge. Get ready to be in a league of your own.

## PRODUCT FEATURES

### Seat Height Adjustment

Seat height adjusts to assure correct posture and relieves stress on back, thighs and legs.



### Tilt Tension

Easy adjustment of chair flexibility avoids heavy pushing and relaxes muscles.



### Upright Tilt Lock

Simple locking mechanism fixed seat in the upright position to assure healthy posture.



### Arm Height Adjustment

Arms adjust up and down or swivel to ease pressure on neck and support shoulders.



### Adjustable Arm Pads

Arm pads adjust to frontward-backward and inward-outward to ease pressure on neck and support shoulders.

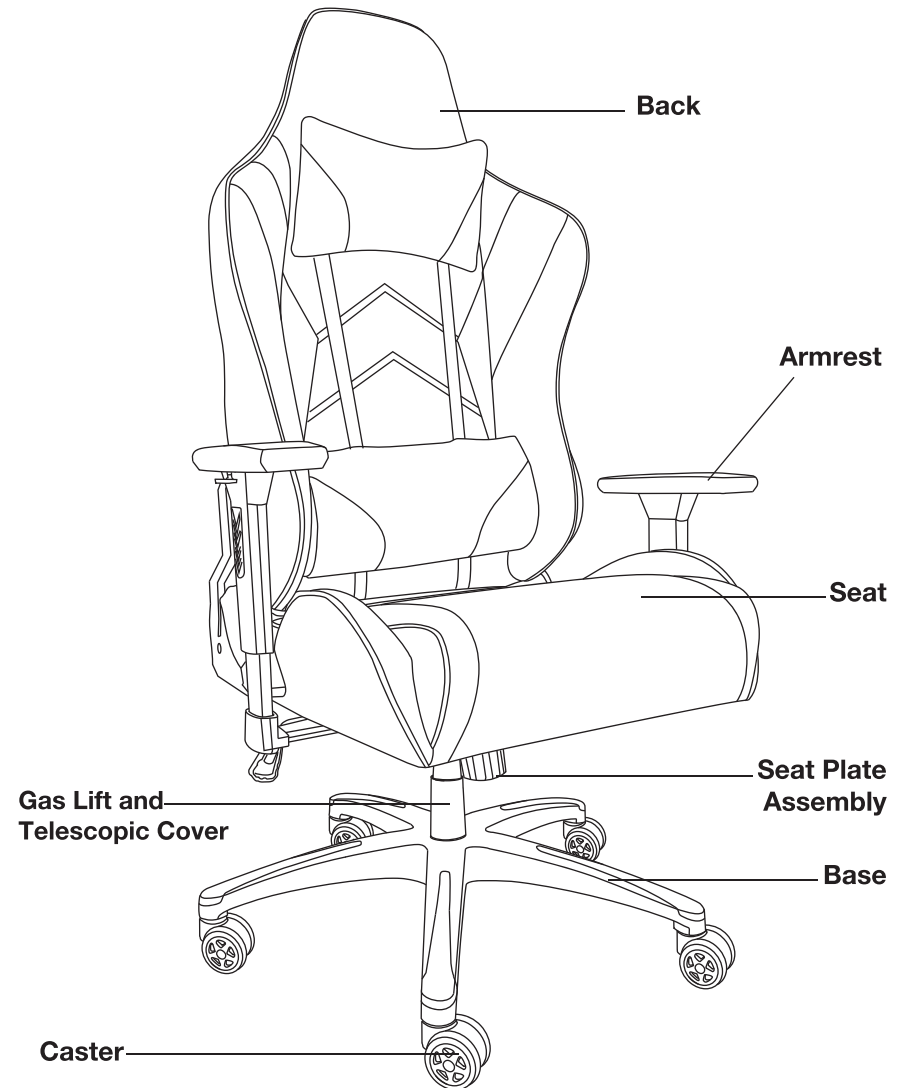


### Backrest Recline

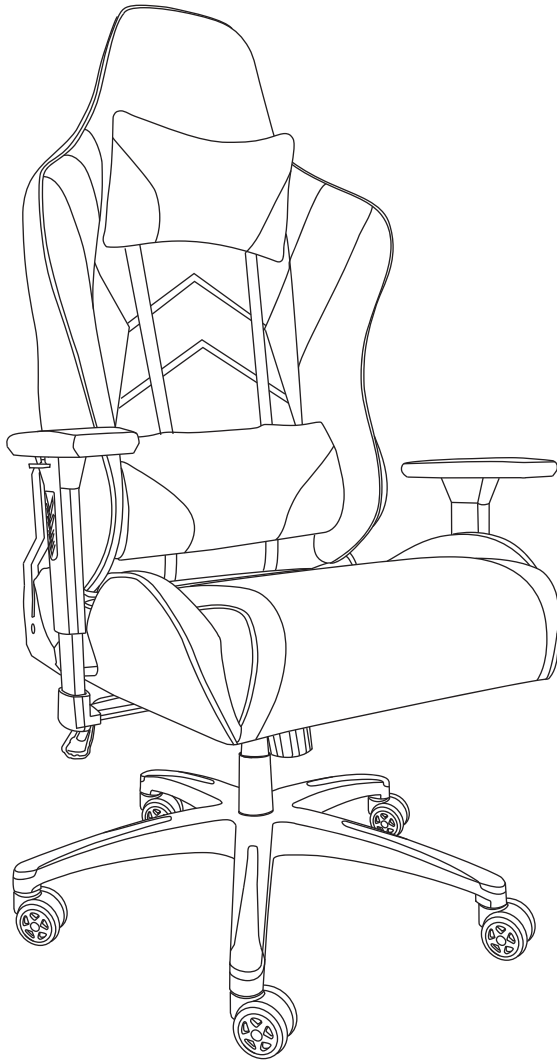
Backrest recline adjustment to assure comfortable posture.



## Behold, the finished product.

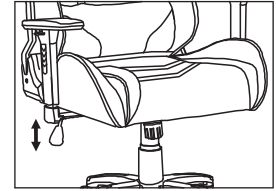


11



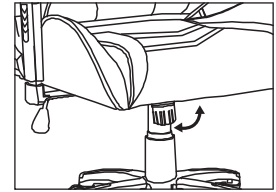
### Seat Height Adjustment

- Pull up on the lever located on the right side of the seat.
- Lower or raise the seat to your desired height, then release the lever to lock the seat height into position.



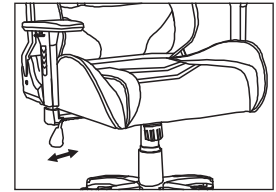
### Tilt Tension

- Grasp the knob under the front center of the seat.
- For firmer/stiffer — twist counter clockwise.
- For softer/looser — twist clockwise.



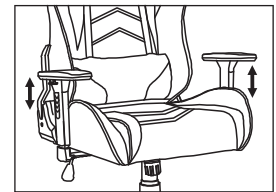
### Upright Tilt Lock

- Locate the handle underneath the right side of the seat.
- Pulling the handle all the way out allows the chair to tilt.
- Pushing the handle in when the chair is in the fully upright position locks the chair in place.



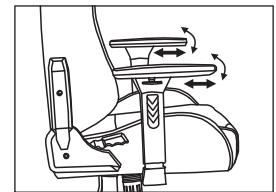
### Arm Height Adjustment

- Press the buttons on the chair arms to allow the arms to move up or down freely.
- Release the buttons once the desired height is reached.



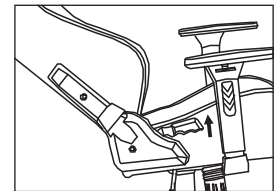
### Arm Pad Adjustment

- Arms can be moved frontward-backward and inward-outward.


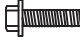









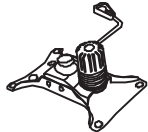
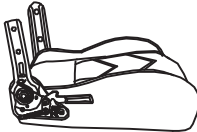

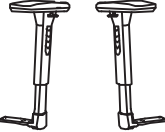




### Backrest Recline

- Ensure that the tilt lock is in the lock position before adjusting back recline position.
- Pull the lever on the right side of the chair.
- Select a suitable and comfortable back angle.
- Let go of the lever to lock.
- The recline range is approximately 85°–135°.

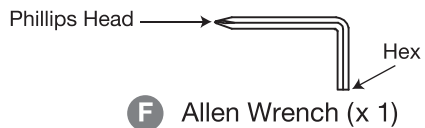


# INCLUDED PARTS

-   
**A** Blue  
 M8x22 (x 4)
-   
**B** Yellow  
 1/4x1-1/8" (x 8)
-   
**C** Green  
 M8\*25(x 4)
-   
**D** Screw  
 M5x10 (x 4)
-   
**E** Cap  
 (x 4)

-   
**1** Caster (x 5)
-   
**2** Base (x 1)
-   
**3** Gas Lift (x 1)
-   
**4** Telescopic Cover (x 1)
-   
**5** Seat Plate (x 1)
-   
**6** Seat (x 1)
-   
**7** Back (x 1)
-   
**8** Armrest (x 2)
-   
**9** Headrest (x 1)
-   
**10** Lumbar Support (x 1)
-   
**11** Right Bracket Cover (x 1)
-   
**12** Left Bracket Cover (x 1)

## Tools Provided

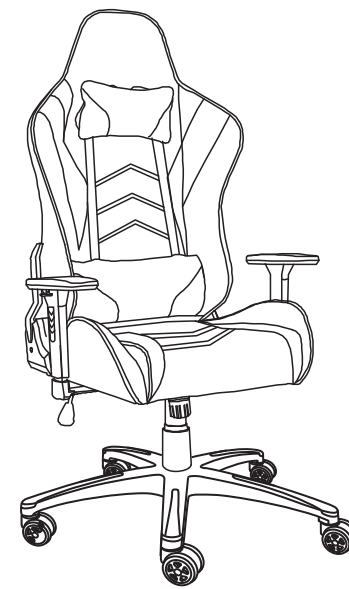


Chair bolts, screws and knobs may loosen during use. Please tighten your chair's hardware each month.

- 9**
- 
- E** (x 4)

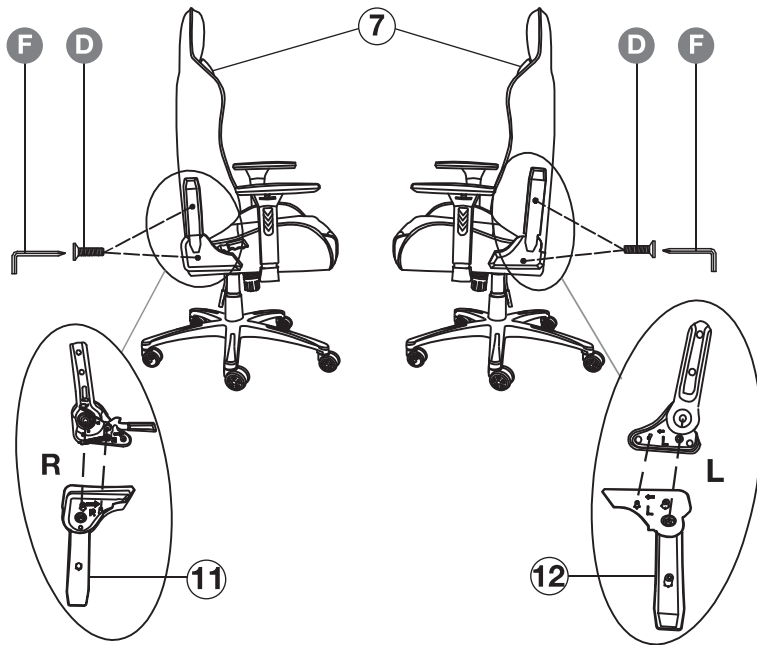


- 10**

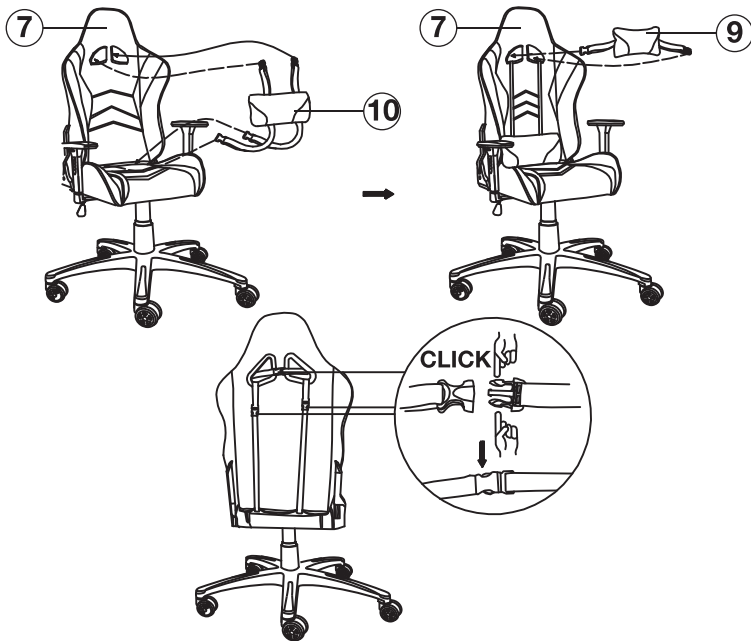


# ASSEMBLY INSTRUCTIONS (CONTINUED)

**7**  
**D** (x 4)

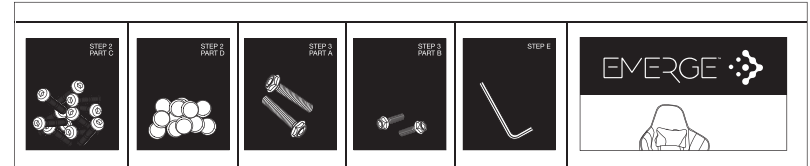


**8**

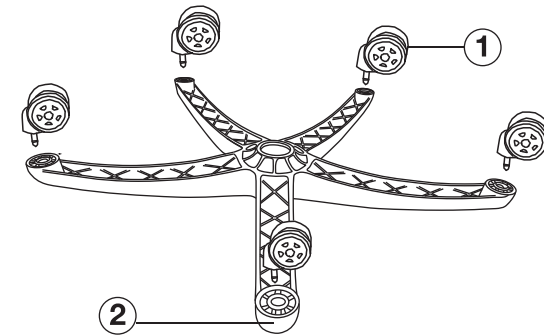


# ASSEMBLY INSTRUCTIONS

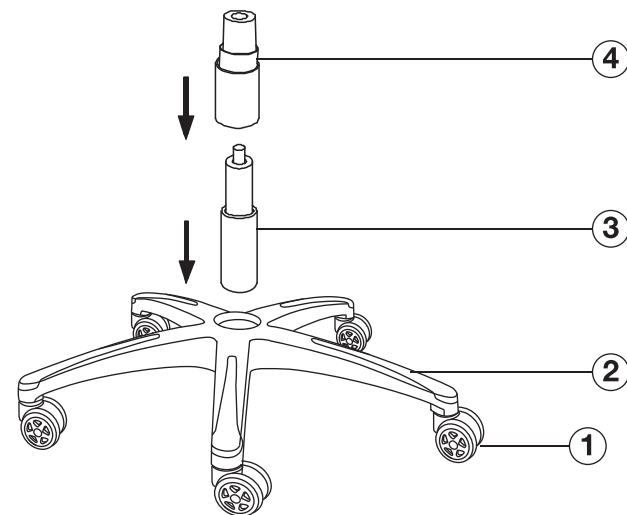
Each piece of hardware needed for each step is located in the corresponding segment in your Easy Parts Pack.



**1**



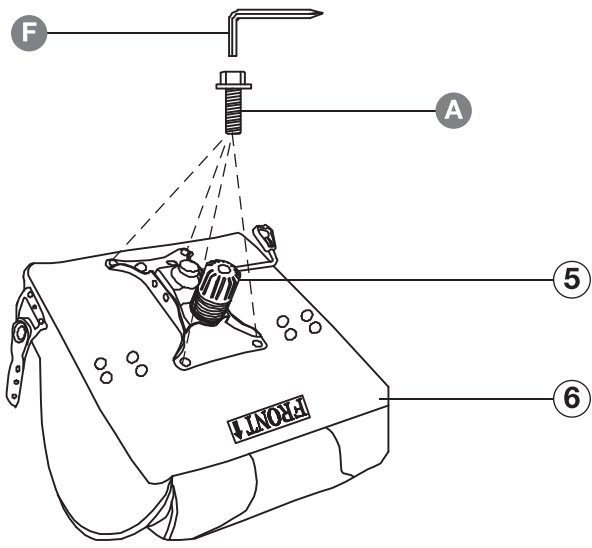
**2**



# ASSEMBLY INSTRUCTIONS (CONTINUED)

**3**

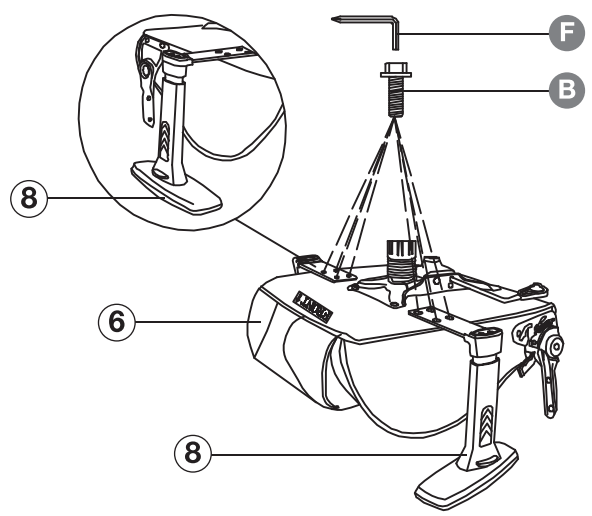
**A** (x 4)



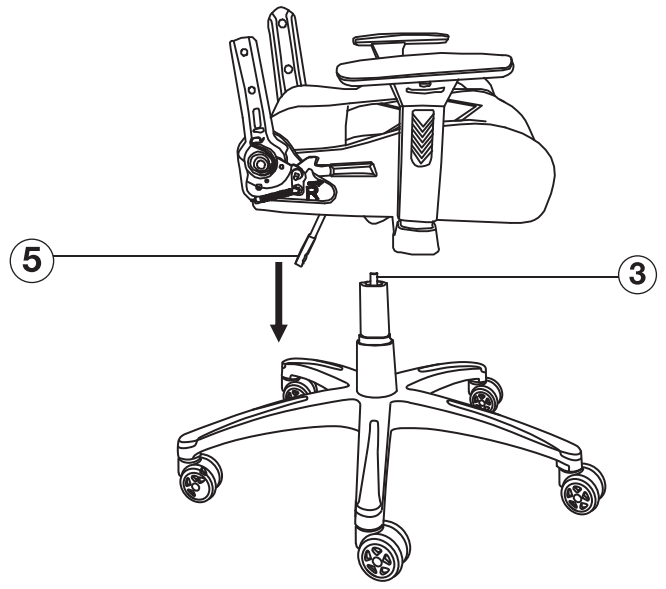
**TIP:** For easier installation, place seat on top of box. Hand thread all screws prior to fully tightening with Allen wrench.

**4**

**B** (x 8)

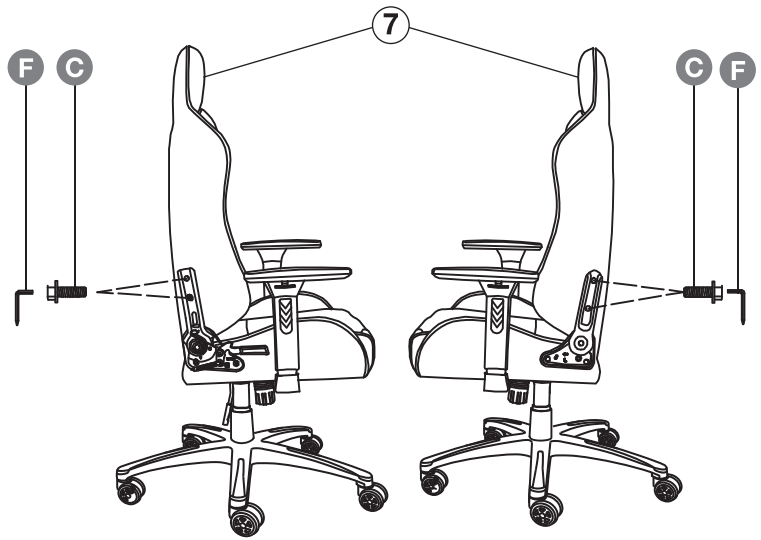


**5**



**6**

**C** (x 4)



**TIP:** Hand thread all screws prior to fully tightening with Allen wrench.