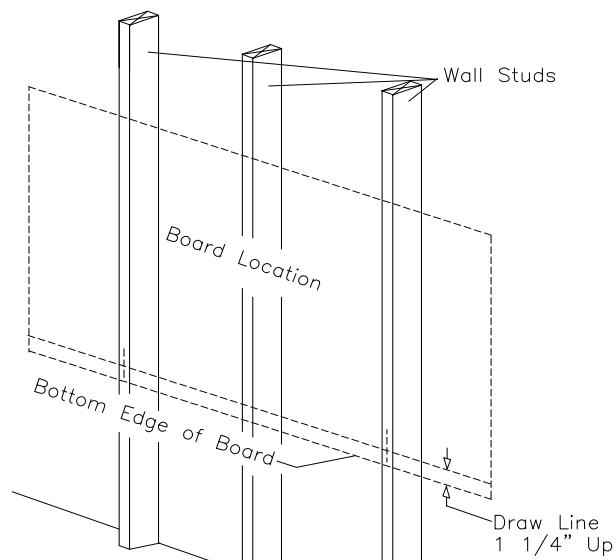


**1** Locate and Drill holes for bottom Angle Brackets..



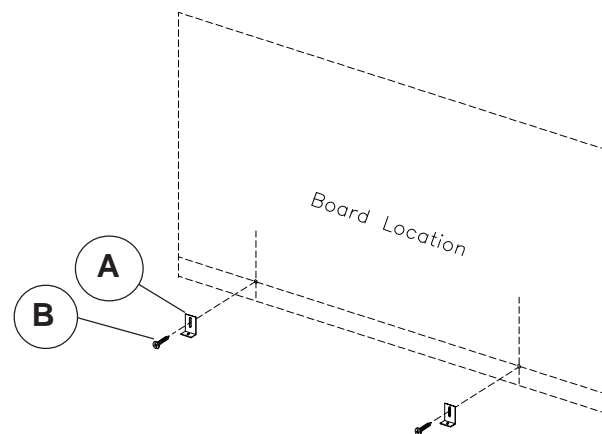
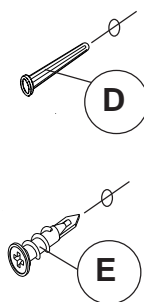
Determine board location. Measure from floor to the bottom edge of board and mark a straight line. Measure up from bottom edge of board 1-1/4", and draw a line as shown.

\*For Stud Walls: Locate the stud near each end of board and drill pilot holes along line using 1/16" drill bit.

**2** Attach Angle Brackets for mounting.

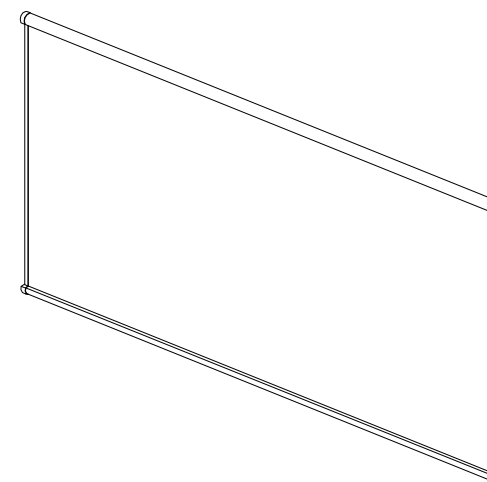
**Note:** Install two Masonry Anchors (D) into 1/4" Diameter predrill holes for masonry walls.

Install two Drywall Anchors (E) into 1/4" Diameter predrill holes for sheet rock walls.



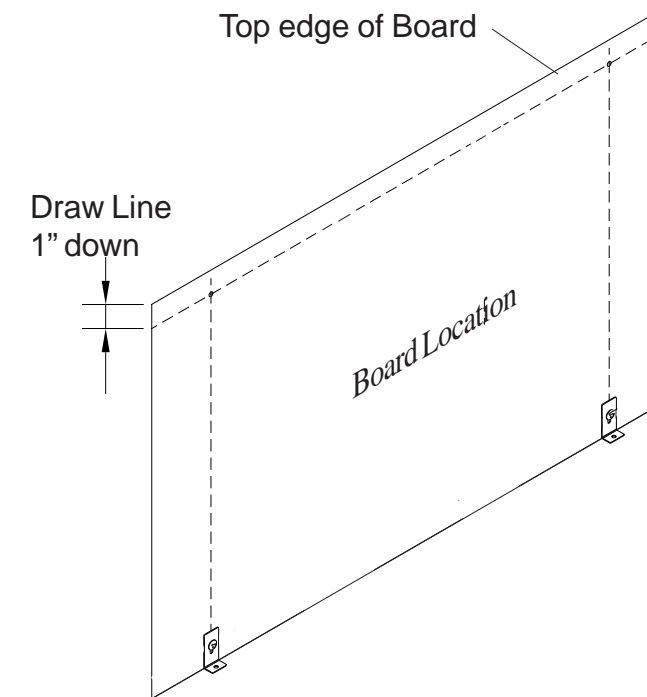
Attach two Angle Brackets (A) to the wall using two Long Screws (B).

**3** Hang board and mark top of board.



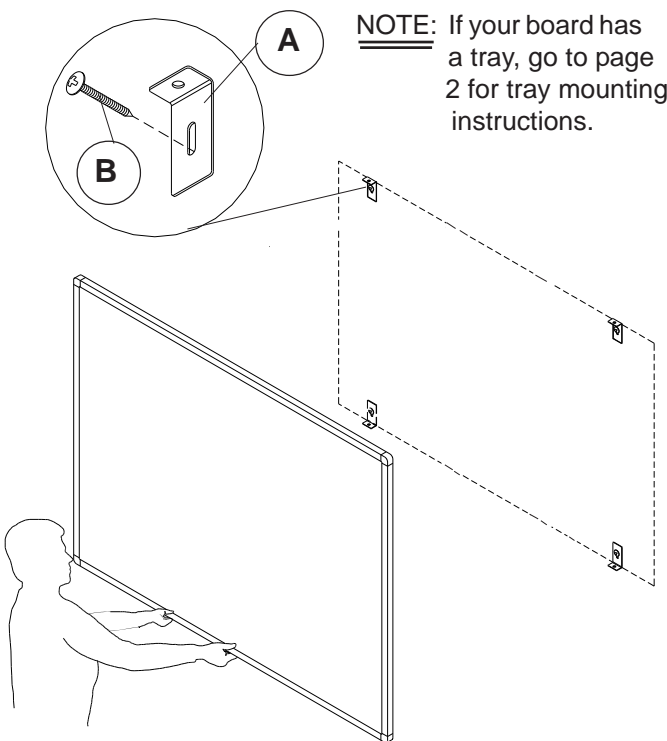
Set Board (P1) on the bottom Angle Brackets. Draw a line along the top edge of Board.

**4** Remove board and drill



Lift and remove board from Angle Brackets. Measure down from top line of board 1" and draw line as shown. Locate stud near each end of board and drill pilot hole along line using 1/16" drill bit.

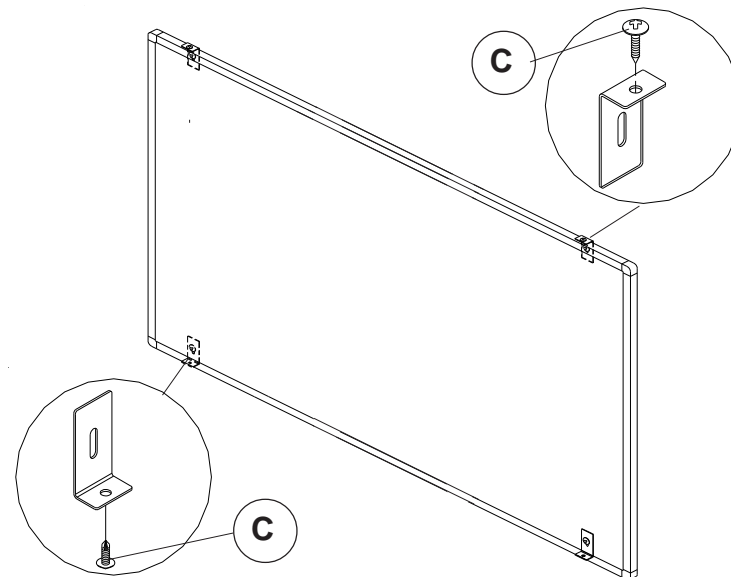
**5** Attach top Angel Brackets and Hang board



Secure top Angle Brackets (A) to the wall using 2 Long Screws (B) as shown. Hang board on the Z-Hangers using the Hanging brackets mounted on the back of the board.

**6** Secure Board

Remove the protective film and clean Board's surface with an ammonia based cleaner before using.



Secure Board (P1) to top and bottom Angle Brackets(A) using 4 Short Screws (C) as shown. Use a 1/16" drill bit to predrill wood.

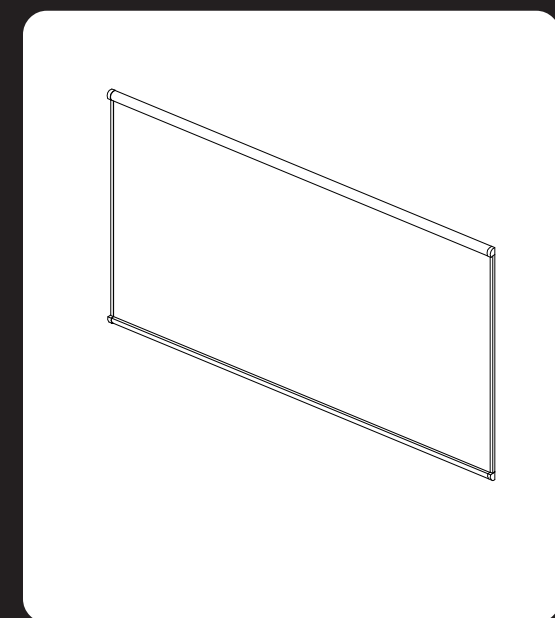
**WARNING:** Failure to follow these installation instructions will void the warranty of the product.

Parts List		
P1	Board	1 EA

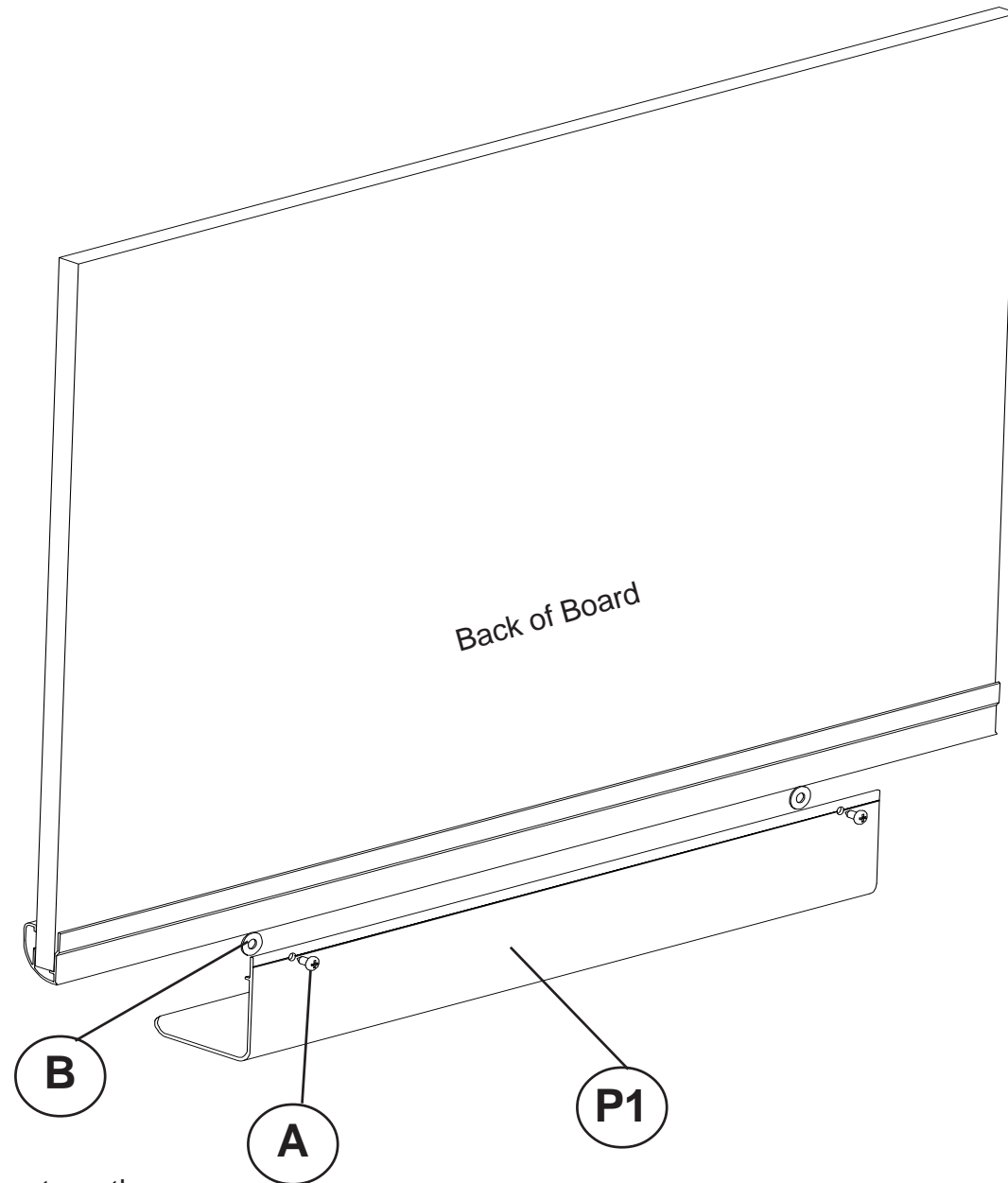
Hardware List		
A	Angle Bracket	4 EA
B	Long Screw	4 EA
C	Short Screw	4 EA
D	Screw Anchor-Concrete	4 EA
E	Screw Anchor-Drywall	4 EA

HDWE-NL-W-518-S

**Wood Boards**  
2' X 3', 3' X 4', 4' x 4'

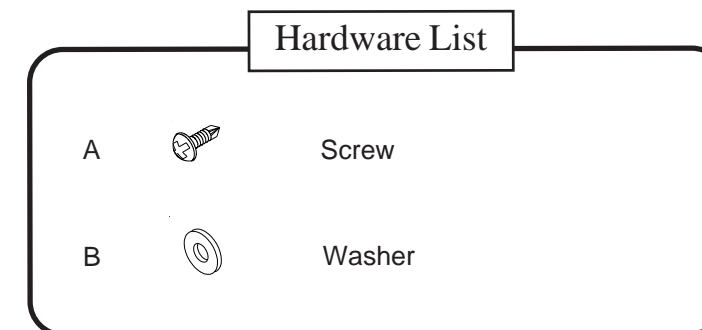
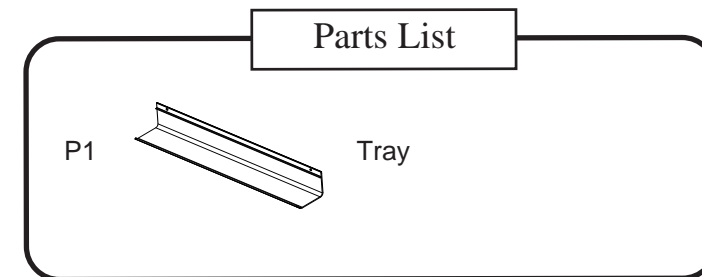


# For Boards with Trays



**NOTE:** Do not use the Washers (B) on Wood Trim Boards

1. Locate and mark the position of the Tray (P1) on the back of your board.
2. Place a Washer (B) between the Board and the Tray on each hole. **(On aluminum trim boards only)**
3. Use two Screws (A) to attach the Tray (P1) to the back of the Board.



Markerboard/Tackboard  
with Tray

